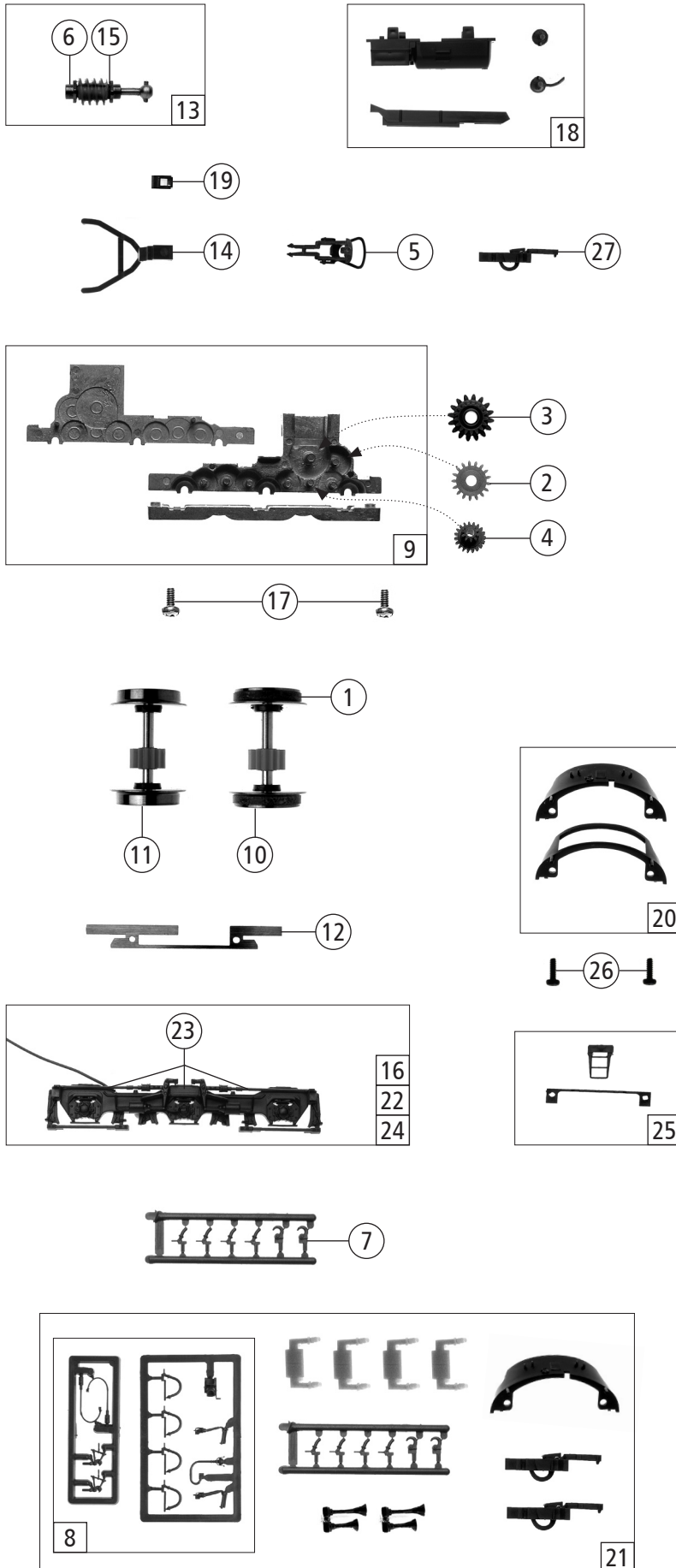


| | | | | |
|--------------|-----|------|---|---|
| 72722 | MAV | M 61 | = | |
| 72723 | | | = | 🔊 |

| Pos. Nr. Pos.no. | Beschreibung Description | Art.-Nr. Art.no. | Preisgruppe Price bracket |
|---------------------|--|---------------------|------------------------------|
| 1 | Motor komplett Motor | 85112 | 28 |
| 2 | Zugfeder Spring | 86208 | 3 |
| 3 | Kardanschale kurz 1,5mm Cardan shell short 1,5mm | 87129 | 4 |
| 4 | Platine komplett Printed circuit assembly | 127562 | 19 |
| 5 | Brückenstecker Connector | 100644 | 6 |
| 6 | Kardanwelle Cardan Shaft | 105906 | 4 |
| 7 | Drahtlampe T1 16V/30mA Light bulb T1 16V/30mA | 109321 | 8 |
| 8 | Lampenhalter Lamp holder | 109879 | 3 |
| 9 | Grundrahmen Main frame | 113686 | 16 |
| 10 | Kinematik Kinematics | 113687 | 4 |
| 11 | Motorabstandsplättchen Motor spacer | 113690 | 3 |
| 12 | Lampen-Flexplatine Flexible printed circuit for bulbs | 113691 | 14 |
| 13 | Fenster-Linsensatz Window-light transmission set | 113698 | 10 |
| 14 | Puffer flach Buffer flat | 113702 | 3 |
| 15 | Puffer gewölbt Buffer vaulted | 113703 | 3 |
| 16 | Scheibenwischersatz Set of windscreen wiper | 113949 | 6 |
| 17 | Führerstand komplett Drivers cab assembly | 137116 | 8 |
| 18 | MAV Steckdose MAV socket | 126159 | 3 |
| 19 | GF-Schraube M2X5 GF-Screw M2X5 | 114966 | 3 |
| 20 | TS-Griff Part set-hand rails | 126157 | 8 |
| 21 | Schneckendeckel Wormcover | 121285 | 4 |
| 22 | Gehäuse kpl. Betr. Nr. M61 011 Body shell assembly f. no. M61 011 | 137114 | 32 |
| 23 | Stirnfenster Front window | 137115 | 6 |
| 24 | Kontaktfeder Contact spring | 116876 | 3 |
| 25 | GF-Schraube M1,6x5 GF-screw M1,6x5 | 115269 | 3 |
| Sound | | | |
| 26 | Lautsprecher Loudspeaker | 129524 | 16 |
| 27 | Sounddecoder Sounddecoder | 129600 | 39 |
| 28 | Lautsprechergehäuse Loudspeaker box | 114062 | 3 |
| 29 | Lautsprecher Haltebügel Loudspeaker holder | 131214 | 5 |

Änderungen in Konstruktion und Ausführung vorbehalten
We reserve the right to change the construction and specification



| Pos. Nr. Pos.no. | Beschreibung Description | Art.-Nr. Art.no. | Preisgruppe Price bracket |
|---------------------|---|---------------------|------------------------------|
| 1 | Hafringsatz 10Stk.10,3-12,8mm Set with traction tires 10 pieces | 40069 | --- |
| 2 | Zahnrad Z 17/0.4 G Gear Z 17/0.4 G | 86418 | 5 |
| 3 | Schneckenzahnrad doppelt Worm gear | 86419 | 6 |
| 4 | Zwischenzahnrad Between gear | 86480 | 3 |
| 5 | Standardkupplung Coupling standard | 89246 | 6 |
| 6 | Lager für Schneckenachse Bearing for worm axle | 89749 | 6 |
| 7 | Attrappenrahmen klein Push in part set, small | 107808 | 4 |
| 8 | Zubehörrahmensatz Parts set | 108322 | 7 |
| 9 | Teilesatz Getriebe Gear parts set | 113692 | 13 |
| 10 | Radsatz mit 2 Hafringen mit Zahnrad Wheelset with 2 traction tires with gear | 113695 | 12 |
| 11 | Radsatz mit Zahnrad ohne Hafring Wheelset with gear without traction tires | 113696 | 11 |
| 12 | Radkontakt lochdurchm. 1,3 links Wheel contact 1,3 left | 113704 | 3 |
| 13 | Schneckensatz Worm set | 113705 | 13 |
| 14 | Deichsel Drawbar | 137113 | 5 |
| 15 | Anlaufscheibe 4x2,1x0,1 Washer 4x2,1x0,1 | 113942 | 3 |
| 16 | Blende kpl. vorne rechts/hinten links Bogie assembly front right/behind left | 113944 | 10 |
| 17 | GF-Schraube M2x6 GF-screw M2x6 | 114828 | 3 |
| 18 | TS - Drehgestell Part set bogie | 113689 | 7 |
| 19 | Adapter für Deichsel Adapter for drawbar | 114004 | 4 |
| 20 | Schienenräumersatz Snow plug set | 137112 | 6 |
| 21 | Zurüstbeutel Bag with accessories | 137117 | 12 |
| 22 | Blende kpl. hinten rechts Bogie assembly behind right | 115352 | 12 |
| 23 | Bremszylinder Brake cylinder | 116135 | 3 |
| 24 | Blende kpl. vorne links Bogie assembly front left | 123520 | 10 |
| 25 | TS - Fahrwerk Parts set undercarriage | 123523 | 8 |
| 26 | GF-Schraube M1,6x5 GF-screw M1,6x5 | 115269 | 3 |
| 27 | Kurzkupplung-Vorentkupplung Short coupler | 115550 | 6 |